

**Bulletin 2212-91**

# Model 2212

## Bonded Strain Gage Differential Pressure Transducer

*High Differential Overload Pressure,  
High Line Pressure Capability*



### Features:

- All austenitic materials -case and wetted cavity.
- Removable pressure caps facilitate inspection and cleaning of pressure media cavity.
- 1200 PSI differential overload pressure.
- True differential pressure measurement.

### Options:

- Pressure fitting per MS33656-4.
- Internal or external shunt.
- Special electrical receptacles.

### Pressure Ranges:

PSID	BAR
0-2	0-138m
0-3	0-207m
0-5	0-345m
0-10	0-689m
0-15	0-1.03
0-20	0-1.38
0-25	0-1.72
0-30	0-2.07
0-50	0-3.45
0-75	0-5.17
0-100	0-6.89
0-150	0-10.3
0-200	0-13.8
0-250	0-17.2
0-300	0-20.7
0-400	0-27.6
0-500	0-34.5

# Model 2212

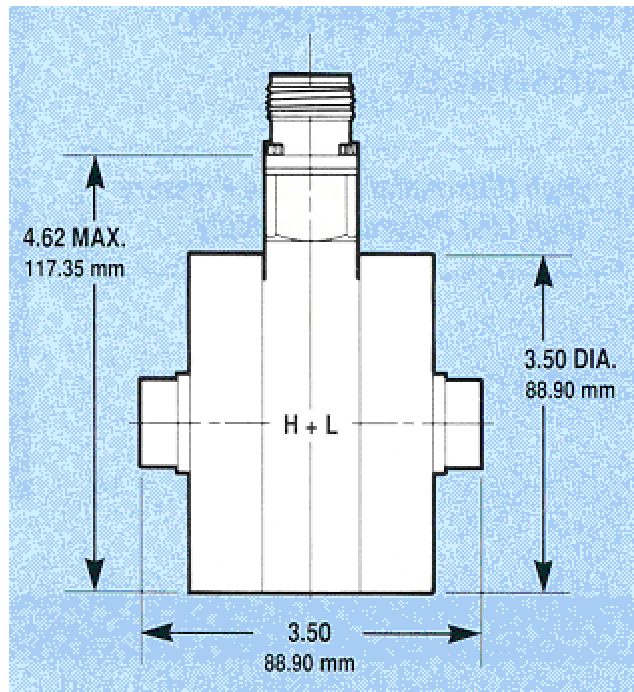
## Bonded Strain Gage Differential Pressure Transducer

### Specifications:

Materials of Construction	Case and Pressure Caps: 316 Stainless Steel Diaphragms: 347 Stainless Steel Pressure Cap O-Ring: Teflon <sup>®</sup> Fill Fluid: Krytox <sup>®</sup> Oil
Full Scale Output	3.0 ±0.03 mV open circuit per volt excitation for high side. Calibrated at 10.00 Vdc excitation.
Zero Balance	0.00 ±0.03 mV per volt at +70°F (+21°C).
Zero Shift with Line Pressure	Within ±1% FSO. Within ±2% FSO for 2 and 3 PSID ranges.
Linearity	Within ±0.25% FSO.
Hysteresis	Within ±0.25% FSO.
Repeatability	Within 0.20% FSO.
Resolution	Infinite.
Differential Overload Pressure (Toggle)	1200 PSID may be applied to either port without causing a zero shift greater than ±1% FSO.
Rated Line Pressure	1200 PSIG maximum.
Compensated Temperature Range	-10°F to 160°F (-23°C to +71°C).
Operating Temperature Range	-40°F to 185°F (-40°C to +85°C).
Thermal Sensitivity Shift	Less than ±0.020% FSO per °F over compensated temperature range (±0.036% FSO per °C)
Thermal Zero Shift	Less than ±0.010% FSO per °F over compensated temperature range. Less than ±0.020% FSO per °F for 2 and 3 PSID ranges. (±0.018% FSO per °C and ±0.036% FSO per °C).
Excitation	10 volts dc or ac rms recommended. 15 volts dc or ac maximum.
Input Resistance	350 ±3.5 ohms at +70°F (+21°C). Input circuitry symmetrical.
Output Resistance	350 ±5.0 ohms at +70°F (+21°C).

### Specifications:

Insulation Resistance	Greater than 10k megohms at 50 Vdc between all terminals in parallel and case at +70°F (+21°C).
Pressure Connection	7/16-20 internal thread per MS33649-4. Options available.
Pressure Cavity Volume	.50 in <sup>3</sup> (8.2 ml) excluding MS33649-4 fitting.
Electrical Receptacle	Stainless steel receptacle to mate with MS3106-14-2S. Standard wiring: Excitation +A, -D; Signal +B, -C. Options available.
Enclosure	Entire housing and pressure cavity of stainless steel. All electrical components sealed against adverse environmental conditions.
Weight	Approximately 6.5 pounds (4.3 kg).



455 Bryant Street  
North Tonawanda, New York 14120 USA  
Phone 1.800.333.5300 (U.S.) or 716.694.4000 (outside U.S.)  
Fax 716.694.1450  
Email [sales@taberindustries.com](mailto:sales@taberindustries.com)  
Visit us at [www.taberindustries.com](http://www.taberindustries.com)

TK05/02