



Model S206 TEST STAND

Pressure Transducer *Data Sheet* (Bulletin 206/703)

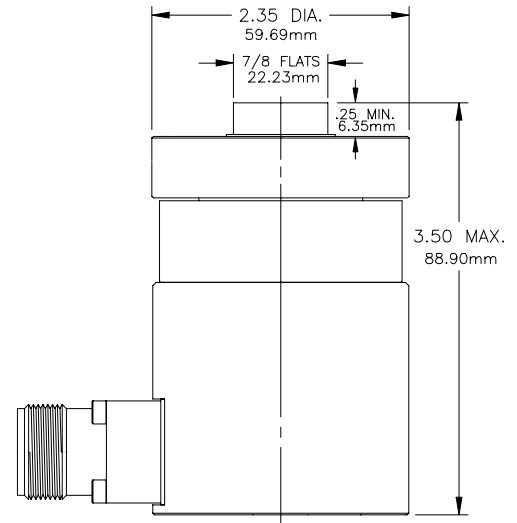
The Model 206 Pressure Transducer that has been the benchmark for rocket test stand pressure transducers for years, has been redesigned and improved to meet the demands of today's market. This new version incorporates all the performance characteristics and ruggedness of the original Model 206 and goes further. The Model S206 still offers:

- Entirely austenitic stainless steel pressure cavity.
- Replaceable stainless steel diaphragms.
- Removable pressure cap to facilitate inspection and cleaning of pressure cavity
- Mechanical overload protection
- Thermal isolation

The redesigned S206 goes further by adding:

- » Better Accuracy Performance
- » Secondary Containment
(Protects unit should diaphragms fail)

- » Absolute Pressure Ranges
- » Alternate Output Capabilities
- » More Competitive Pricing



OPTIONS

- Special Pressure Ranges
- Absolute Pressure Reference
- 0-5 Vdc or 4-20 mA output options
- Internal or External Shunt
- Special Electrical Receptacles
- -65° to +250°F Temp. Compensation

MECHANICAL

Wetted Parts: 347 and Carpenter 20 SS
 Proof Rating: 1.5x to 10x Range
 Pressure Connection: MS33649-4 (Std.)
 Electrical Connection: MS3106-14-6S (Std.)

GENERAL SPECIFICATIONS

Ranges: 0-5 through 0-6000 psi
 Full Scale Output: $\pm 0.5\%$ FSO
 Zero Balance: $0.00 \pm 1.0\%$ @ 70°F
 Linearity (BFSL): Within $\pm 0.20\%$ FSO
 Hysteresis: Within $\pm 0.20\%$ FSO
 Repeatability: Within $\pm 0.10\%$ FSO
 Comp.Temp. Range: +70° to +170°F
 Operating Temp. Range: -100° to +250°F
 Thermal Sensitivity/Zero Shift
 $< \pm 0.005\% \text{ FSO}/^\circ\text{F}$ / $< \pm 0.010\% \text{ FSO}/^\circ\text{F}$
 Input Resistance: 350 ± 3.5 Ohms @ 70°F
 Output Resist.: 350 ± 10.0 Ohms @ 70°F
 Insulation: $> 10\text{k Mohm}$ @ 50 Vdc & 70°F
 Weight: Approximately 3 lbs. (1.36 kg)

For additional features, options or performance specifications please consult factory

Taber Industries reserves the right to revise specifications without notice.

TABER Industries
 455 Bryant Street – North Tonawanda, NY 14120
 Phone: (716) 694-4000 or (800) 333-5300 / Fax: (716) 694-1450
 Email: sales@taberindustries.com Website: www.taberindustries.com

Model S206 Comments:

- * Selection of the absolute reference option precludes replaceable diaphragm feature.
- * Secondary containment on PSIA units prevents leakage to the outside and transducer degradation up to Proof Pressure in the event of primary seal failure.

Model S206 Configuration Guide: Configure specific models per sample codes below.

	Model	Pressure Range	Pressure Type	Receptacle	Port	CTR	Option
Example:	S0206A	502	G	D	B	G	AA

Model Code / Output / Excitation

- S0206A** / 3 mV/V / 10 Vdc or 15 VAC (30 mV FSO)
- S0206B** / 5Vdc n/Iso. / 28±8 Vdc
- S0206C** / 5 Vdc Iso. / 28±8 Vdc
- S0206F** / 4-20 mA / 8 to 36 Vdc

Pressure Range Codes (Full Scale)* (code - range (PSI)):

	Proof		Proof
150 - 15	300	152 - 1,500	2.5x
201 - 200	500	202 - 2,000	2.5x
301 - 300	500	302 - 3,000	2x
501 - 500	3x	402 - 4,000	1.5x
751 - 750	3x	502 - 5,000	1.5x
102 - 1,000	2.5x	602 - 6,000	1.5x

Pressure Type Code:

- G** = Gauge (Std.)
- or
- A** = Absolute

* Optional ranges available. Consult factory.

Available Configurations: Indicate preference by selecting desired features.

Receptacle Code (mates with):

- A** - MS3116-10-6S (6 pin Bayonet)
- D** - MS3106-14S-6S (6 pin threaded) - Standard
- N** - MS3106-14S-2S (4 pin threaded) - Original 206

Pressure Port Code:

- B** - MS33649-4 (F) - Standard

CTR Code (Compensated Temperature Range, ° F):

- A** - -30° to +170°
- B** - -65° to +250°
- G** - +70° to +170° – Standard
- P** - -40° to +250°

Option Codes:

- AA** – Standard, No Options
- MS** - Internal Shunt (value @ 80% FSO & 70° F)

Note: 206B and 206F max. CTR is -40° to +250° F

For additional features, options or performance specifications please consult factory

Taber Industries reserves the right to revise specifications without notice.



TABER Industries

455 Bryant Street – North Tonawanda, NY 14120

Phone: (716) 694-4000 or (800) 333-5300 / Fax: (716)694-1450

Email: sales@taberindustries.com Website: www.taberindustries.com